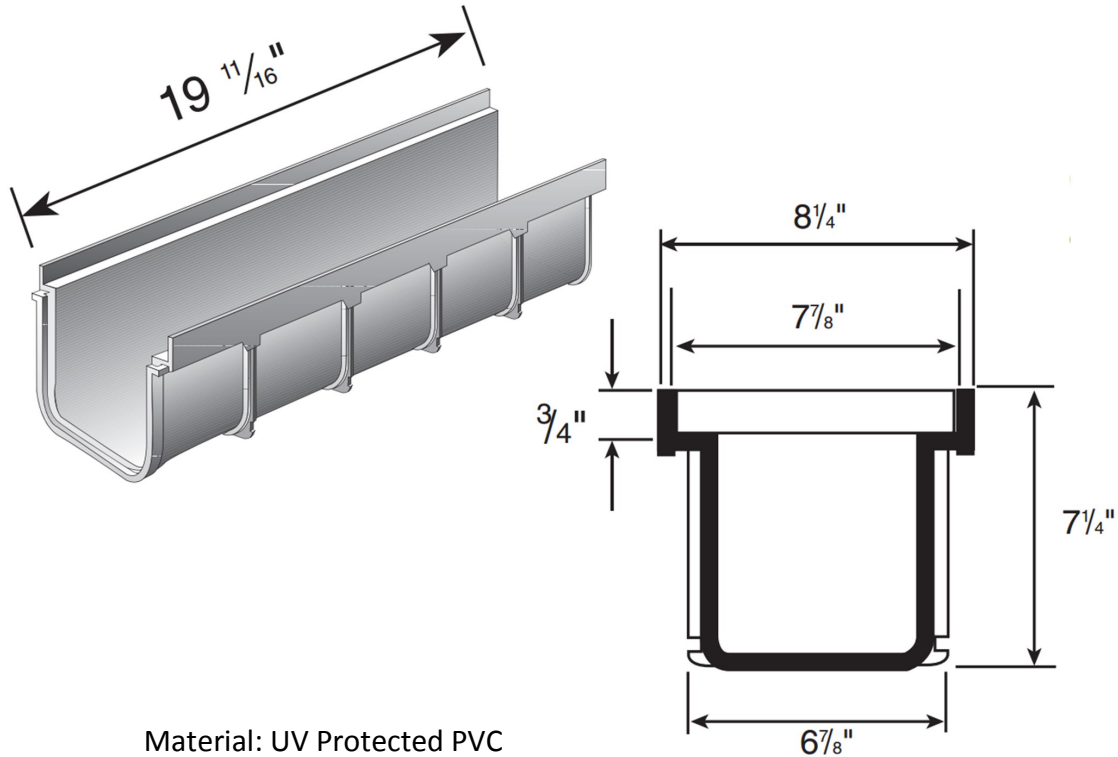


8" PRO SERIES DEEP PROFILE CHANNEL



Material: UV Protected PVC

Colors: Gray (833)

Weight: 2.80 lbs each

Interlocks with other Deep Profile 8" Pro Series Channels.

Should be installed a minimum 1/8" below finished grade for non-traffic applications and 1/4" below finished grade for traffic applications.

Grate sold separately.

Supplied By:

**TRENCHDRAIN
SUPPLY**

877-903-7246

www.trenchdrainsupply.com

